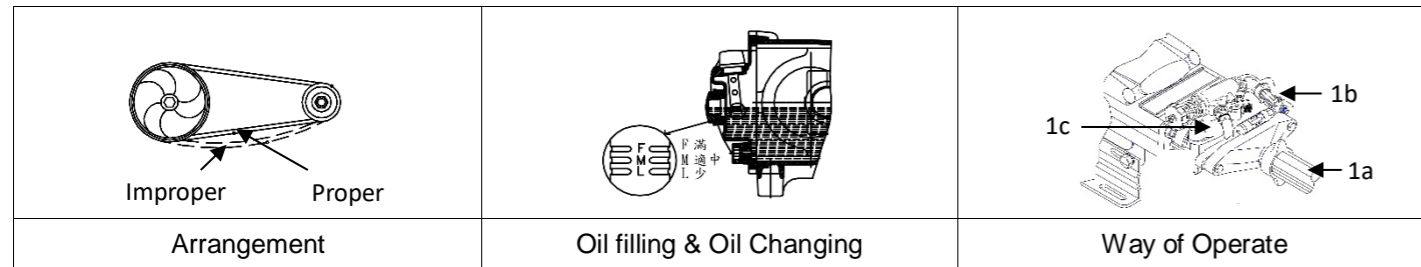


TS-25AP Power Sprayer Manual



1. Arrangement

Adjust the belt and pulley in order to make the belt straightly. The V-belt must not be set loosely as to slip away or drop out of its position.

2. Oil Filling & Oil Changing

Fill #40 Oil through the oil hole. Keep the oil level just half of the oil gauge. Change the oil after 50 hours use for the first time and every 100 hours since then. The proper time for changing oil is after operating and the machine is still warm.

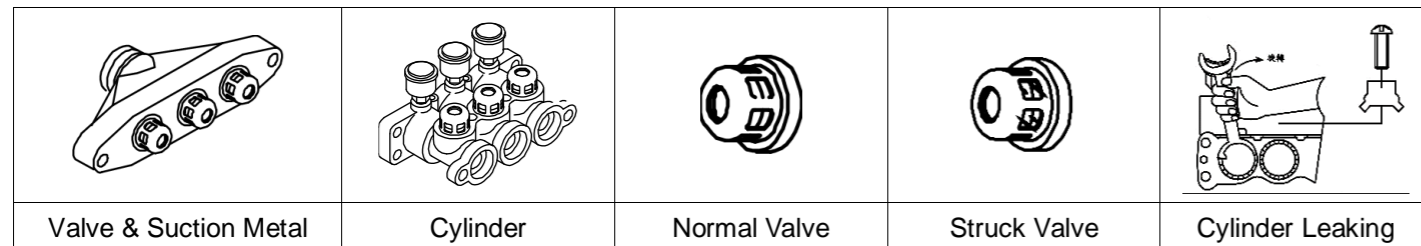
Remove the drain plug and begin draining.

3. Grease Filling

The three grease cups on the cylinder must always be filled with grease. After using for every two hours, wind the grease cups about two circles per time.

4. Spray

- Fix firmly the suction hose (1a), overflow hose (1b) and spraying hose (1c) on the suction metal, over flow body and cock respectively. Make sure they must be set firmly and let no air leak out.
- Operate the power and start the power sprayer.
- Turn off the cock.
- After the power sprayer is normally operating, adjust the pressure screw. Then turn on the cock and begin operating the power sprayer.



5. Trouble Shooting

a. Feeding failure & pressure instability:

- Check whether the suction hose is any leaking of air. Tight it up.
- Check whether the strainer is stuck. Clean it up, if necessary.
- Turn on the cock for a little while to let out the air left in the feeder and then turn it off.
- Check whether the suction metal, cylinder and six valves are stuck. Clean it up, if necessary.
- Check the flat valve and valve seat to see whether they are damaged.
- Check whether the valve springs are damaged.

b. Cylinder Leaking:

- Take the stopper away from the cylinder with screw driver.
- Remove the plunger cover and wind by the three grands on the cylinder (for 1/3 round ~ 1/2 round). If leaking is still uncontrollable, change the V-packing in the cylinder.

c. Pressure Falling:

- Check whether the V-belt is loose.
- Check whether the spraying hose and coupling packing of spraying hose are broken. Renew the parts if necessary.

6. Maintenance

- Operate the power sprayer with clean water for about 5 minutes after use in order to clean the pesticide left in the machine.
- Remove the suction hose, over flow hose, and spraying hose. Then wipe every part of the machine dry.
- Check the oil in the crank case. Refill oil, if necessary.
- Check whether every screw is set firmly.
- Check whether there is any leak of oil.

7. Caution

- During operation, please don't reach out your hands into space of revolving belt wheel to prevent you from being harmed.
- Please check if there is enough oil before operating machine.
- Please check if gasoline, diesel oil or cooling water are enough before operating machine.
- Please check if contact of electric source and insulation are under good condition before operating machine.
- The spraying machine sprayed by pesticide or chemical liquid is prohibited to be used for pumping water to prevent poison.
- Please renew pressure gauge if it is damaged in order to maintain machine's safety.
- Loosen pressure adjusting screw counterclockwise, after using this machine.

8. Warranty

- Warranty : This warranty involves any failure parts produced or supplied by manufacturer when failure part caused any abnormal performance. During warranty period, the manufacturer offer free maintenance.
 - No service charge and expense of replaced part are required with warranty.
 - Warranty period : one year after delivery.
- The manufacturer is not responsible for damage provokes in case of:
 - A serious lack of foreseen maintenance.
 - Damages caused by the nature disaster such as earthquake.
 - Modifications or intervention that are not authorized by the manufacturer.
 - Non-normative uses that contrary to the specific.
 - The use of non-original spare parts and assigned oil for the pump.
 - Natural aging situation such as rust on surface caused by time.
 - Not inquire to factory or your local distributor when damage occurs.
 - The performance is still good base on power sprayer's registered spec. even some noise or vibration show up.
 - Using the pump without following the instructions of this manual.
- The manufacturer is not responsible for expense provoked in case of:
 - Losing of failure parts during warranty application.
 - Any direct and/or indirect lose comes from warranty items.
 - Regarding to warranty, all seals, packing, O-rings and oil are excluded.

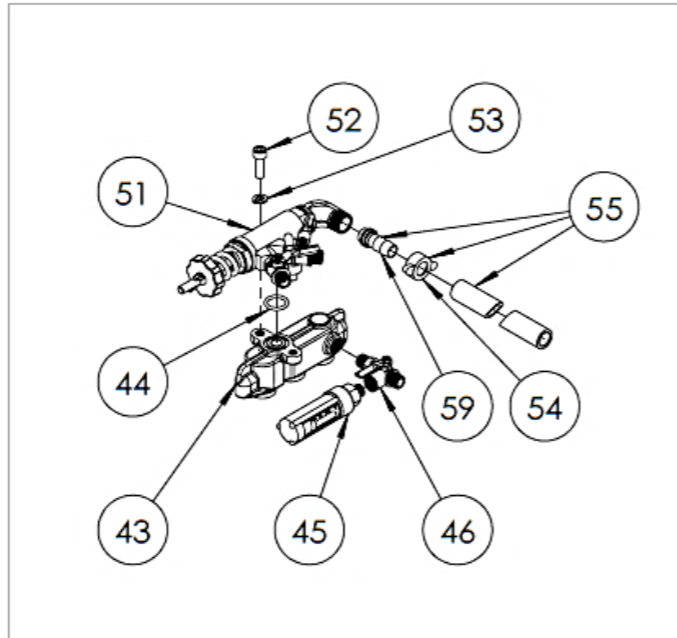
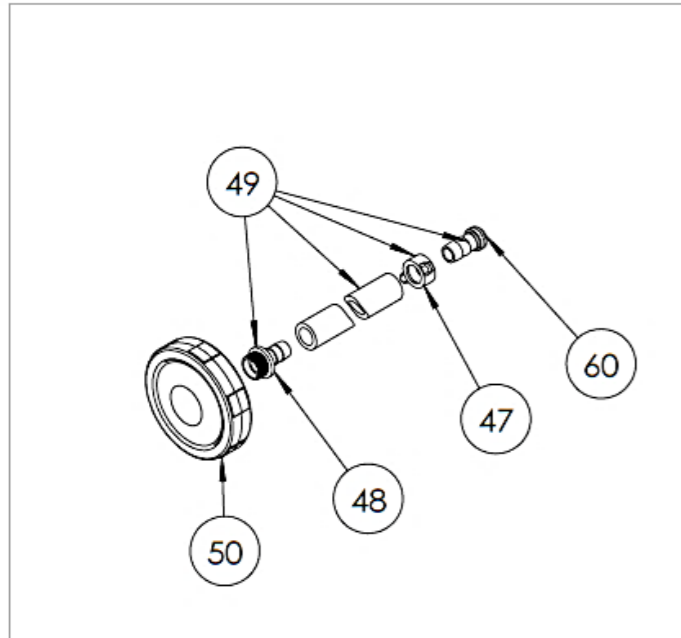
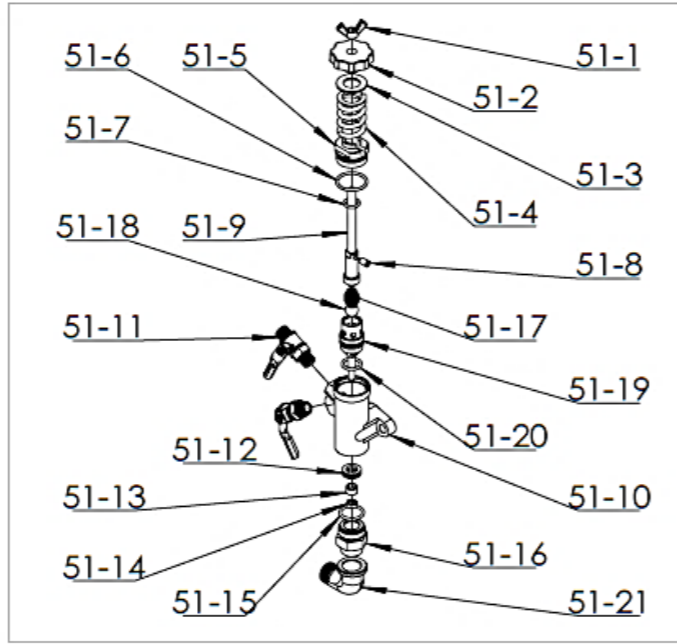
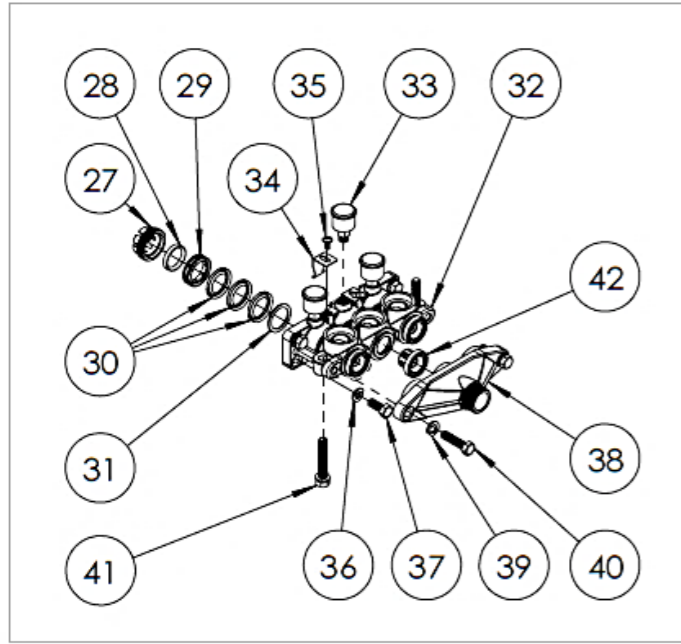
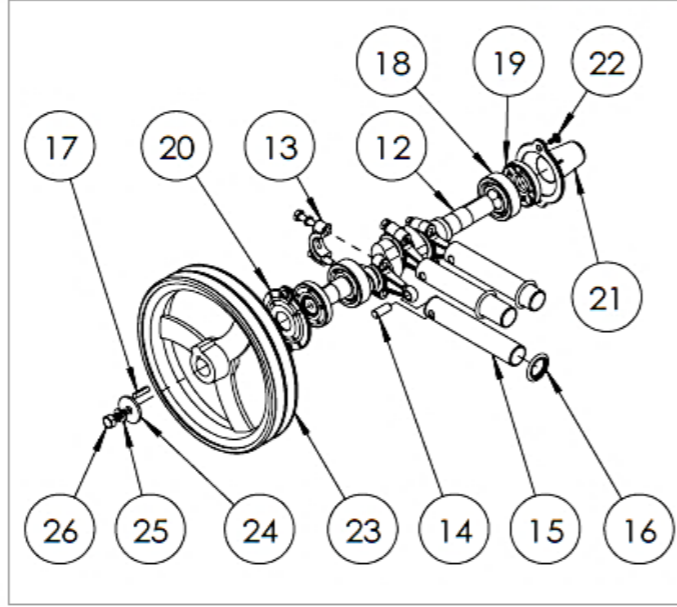
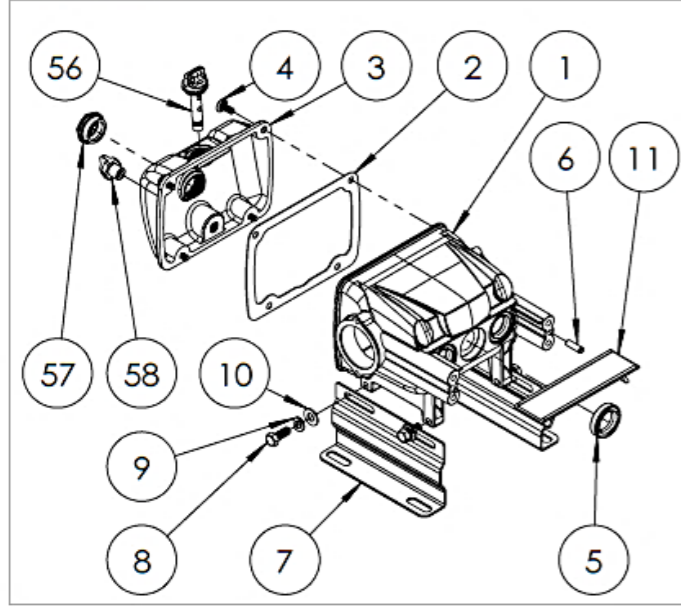


TANONG PRECISION TECHNOLOGY CO., LTD.

No.6, Fengming Rd., Daya Dist., Taichung City
428, Taiwan (R.O.C.)
Tel: +886-4-25662106
Fax: +886-4-25662109
http://www.tanong.com.tw
E-mail: info@tanong.com.tw

TS-25AP

版次:第二版



Pos.	Parts No.	Parts Name	Q'ty	Specification
1	010-2204-240	Crank case	1	
2	013-2204-000	Gasket, crank case	1	
3	011-2204-242	Cover, crank Case	1	
4	142-0104-001	Screw	4	1/4×5/8+S
5	130-2200-000	Oil Seal, plunger	3	22×35×8
6	012-2200-000	Pin	2	
7	018-2200-270	Bed, crank case	2	
8	140-0516-001	Bolt	4	5/16×3/4"
9	144-0516-001	Washer, Spring	4	5/16"
10	145-0516-001	Washer	4	5/16×18
11	016-2200-260	Plunger Cover	1	
12	020-2200-220	Crank Shaft	1	
13	021-2200-241	Connecting Rod	3	
14	023-2200-000	Plunger Pin	3	
15	022-2200-002	Plunger	3	
16	027-2200-000	Stopping Ring, Water	3	
17	025-2800-000	Key	1	
18	024-2200-001	Bearing	2	
19	131-2200-000	Oil Seal, Crank Shaft	2	20×47×8
20	026-2804-001	Cover, Oil Seal-A	2	
21	026-2804-002	Cover, Oil Seal-B	1	
22	142-0316-001	Screw	4	3/16×3/8"
23	A04-75A2-242	Pulley	1	
24	145-2800-000	Washer	1	
25	144-0516-001	Washer, Spring	1	5/16"
26	140-0516-001	Bolt	1	5/16×3/4"
27	044-2200-000	Grand	3	
28	041-2200-000	Grease Packing	3	
29	042-2200-000	Grease Ring	3	
30	043-2200-001	V-Packing	3	
	043-2200-002	V-Packing	6	
31	045-2200-000	V-Packing Seat	3	
32	040-2500-220	Cylinder	1	
33	046-2800-000	Grease Cup	3	
34	047-2200-000	Stopper, Grand	2	
35	142-0316-001	Screw	2	3/16×3/8"
36	144-0516-001	Washer, Spring	4	5/16"
37	140-0516-002	Bolt	4	5/16×1"
38	030-2500-220	Suction Metal	1	
39	144-0516-001	Washer, Spring	2	5/16"
40	140-0516-003	Bolt	2	5/16×1 1/4"
41	140-0516-004	Bolt	2	5/16×48+S
42	080-2200-001	Valve Assembly	6	
43	050-2500-223	Discharge Metal	1	
44	120-1824-000	O-Ring	1	18×3
45	055-2200-201	Pressure Gauge	1	
46	051-5800-000	T-Cock	1	
47	057-2200-000	Coupling	1	3/4"
48	032-2200-260	Core, Strainer	1	3/4"
49	A03-S006-085	Suction Hose	1	3/4"×8
50	033-2800-000	Strainer Assembly	1	
51	940-AP30-000	AP pressure regulating valve	1	AP-30
51-1	146-0516-004	Nut	1	5/16"
51-2	218-AP30-000	Nut	1	AP30
51-3	217-AP30-000	Wash	1	AP30
51-4	216-AGV2-000	Spring	1	AGV-20
51-5	212-AP30-000	Joint	1	AP30
51-6	120-2732-000	O-ring	1	26.64×2.8(90°)
51-7	120-1217-001	O-ring	1	11.8×2.4
51-8	140-0600-020	Screw	1	M6×10L
51-9	213-AP30-000	Release Spindle	1	AP30
51-10	200-AP30-000	Pressure regulator Body	1	AP30
51-11	051-2800-000	Cock	2	1/4"×8.5mm
51-12	203-AGV3-000	Seat	1	AP30
51-13	066-AGV3-290	Return valve	1	AP30
51-14	146-0600-007	Nut	1	M6
51-15	120-2025-001	O-ring	1	20×2.5
51-16	204-AP30-000	Joint	1	AP30
51-17	210-AP30-000	Spring	1	AP30
51-18	067-AP30-250	Ball Valve	1	AP30
51-19	207-AP30-000	Check valve sleeve	1	AP30
51-20	120-1823-000	O-ring	1	18×2.5
51-21	059-C201-010	Joint	1	PT1/2×PT1/2×L

Pos.	Parts No.	Parts Name	Q'ty	Specification
52	140-0516-014	Bolt	2	5/16×1"(AP)
53	144-0516-001	Washer, Spring	2	M8/5/16"
54	057-1600-000	Coupling	1	1/2"
55	A03-0004-085	Over Flow Hose	1	1/2"×8
56	923-2204-002	Oil Plug & O-Ring	1	
57	924-1000-000	Oil Gauge & Gasket	1	
58	925-2200-001	Plug, Fuel Drain& Gasket	1	
59	031-1600-002	Core, coupling + Packing	1	1/2"
60	031-2200-002	Core, coupling + Packing	1	3/4"